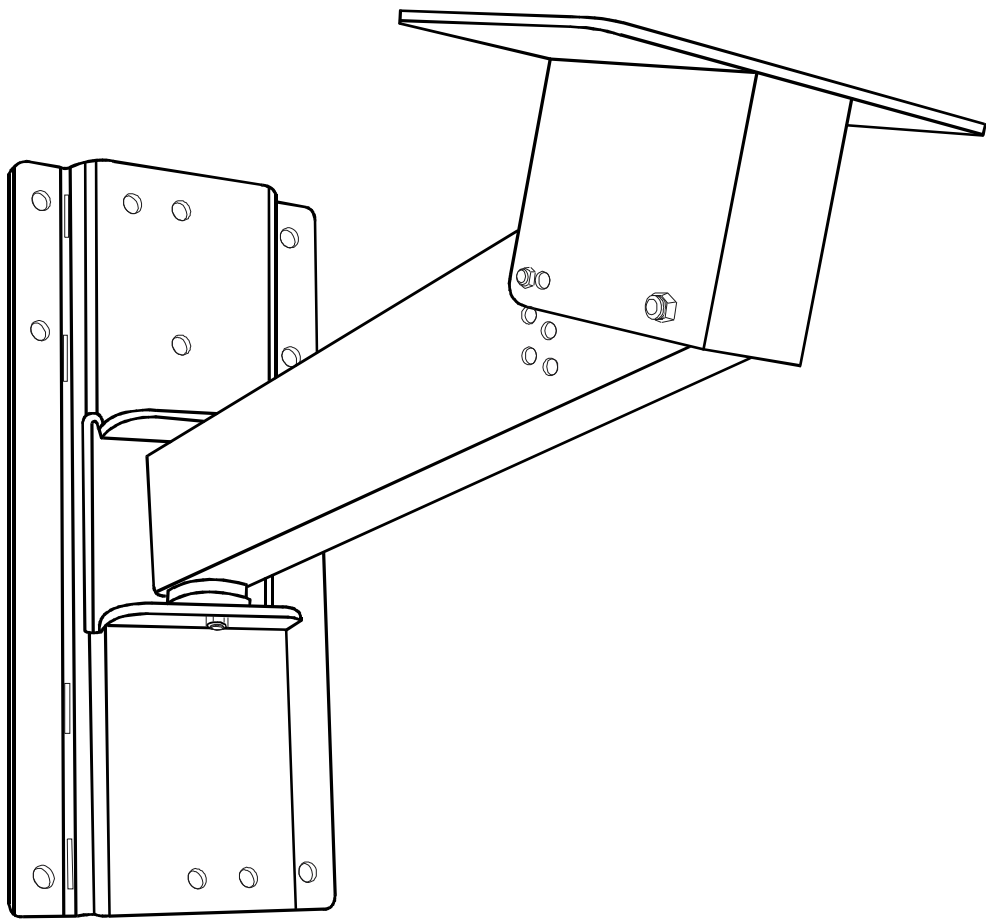


Wharfedale
Pro



WPB-1 WALL BRACKET
INSTALLATION MANUAL

INTRODUCTION

Thank you for purchasing the Wharfedale Pro WPB-1 Wall Mounting Bracket!

The WPB-1 is a heavy-duty wall mounting bracket system that will provide a secure and versatile mounting option for a variety of Wharfedale Pro speaker models, with an emphasis on the popular Titan™ Series of passive and active speakers.

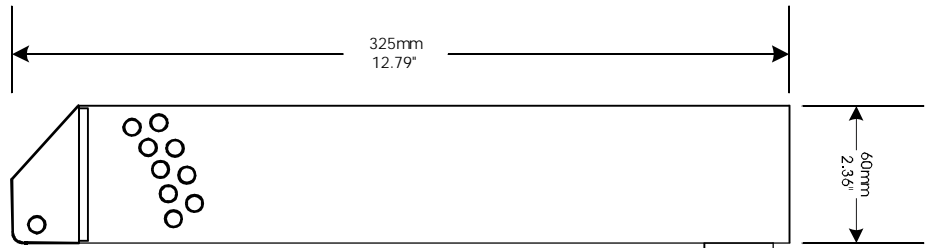
The WPB-1 was designed with the angular versatility needed for proper speaker placement in permanent speaker installations. All steel construction assures accurate adjustments over time and extended reliability.

There are ten wall mounting points available on the wall plate. These mounting points allow for a multitude of mounting options on various wall types. Be sure to use the proper devices to secure the bracket and consider the wall material and the weight of the speaker and the bracket when determining which method will provide the best option for safety, strength and durability.

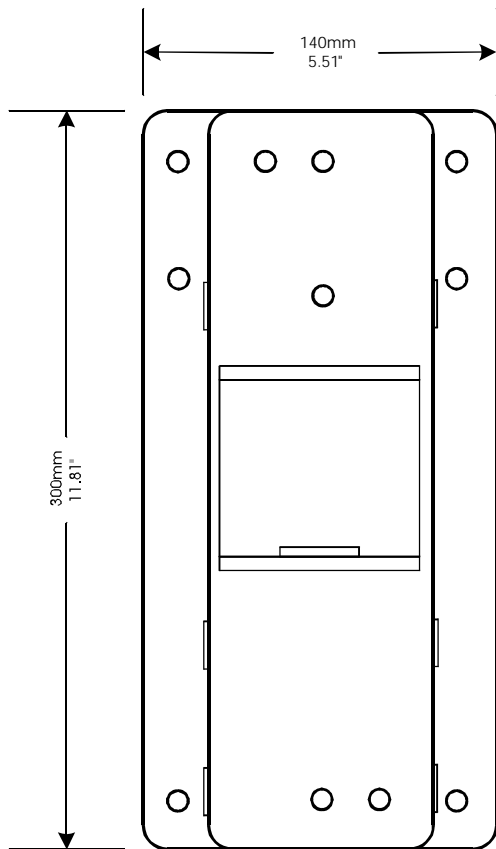
WARNING: RIGGING – SUSPENDING – MOUNTING

The rigging, suspension or mounting of any speaker system can expose members of the public to serious health risks and even death. UNDER NO CIRCUMSTANCES ATTEMPT TO RIG, SUSPEND OR OTHERWISE MOUNT SPEAKERS UNLESS YOU ARE FULLY QUALIFIED AND CERTIFIED TO DO SO BY RELEVANT LOCAL, STATE AND NATIONAL AUTHORITIES. ALL RELEVANT SAFETY REGULATIONS MUST BE FOLLOWED. IF YOU ARE NOT PROPERLY QUALIFIED OR DO NOT KNOW OF PERTINENT REGULATIONS, CONSULT QUALIFIED PERSONNEL FOR ADVICE AND ASSISTANCE. For safety reasons, it is highly recommended that at least two people work on any speaker mounting project when installing the WPB-1. Wharfedale Pro assumes no liability for damages incurred due to use of improper or inadequate mounting techniques or materials.

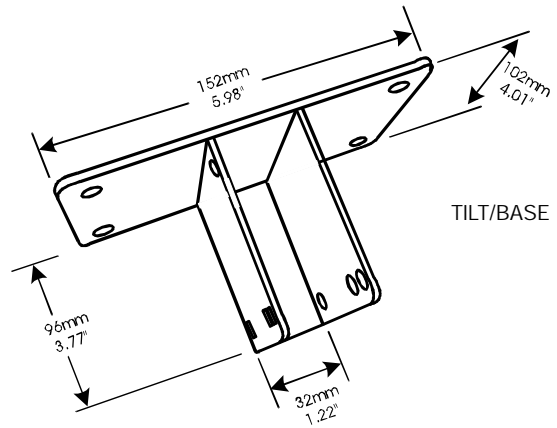
WPB-1 PARTS AND SPECIFICATIONS



ARM



WALL PLATE



TILT/BASE

Net Weight: 2.90kg / 6.38 lbs
Gross weight: 3.36 kg / 7.39 lbs

Details, features and specifications subject to change without notice.

INSTALLATION

WALL PLATE

Multiple mounting points are available on the wall plate for strong and secure mounting options. Once a suitable location is located for the mounting of the WPB-1, safely secure the wall plate to the wall making sure it is level and mounted properly to provide adequate support of the weight and size speaker being used. Be sure to consider the material that the wall is made of and be sure to secure the center mounting points squarely in wall studs or supports with adequate screw lengths.

ARM

Once the wall plate is securely mounted, the arm mechanism should be attached using the provided nut and bolt.

TILT

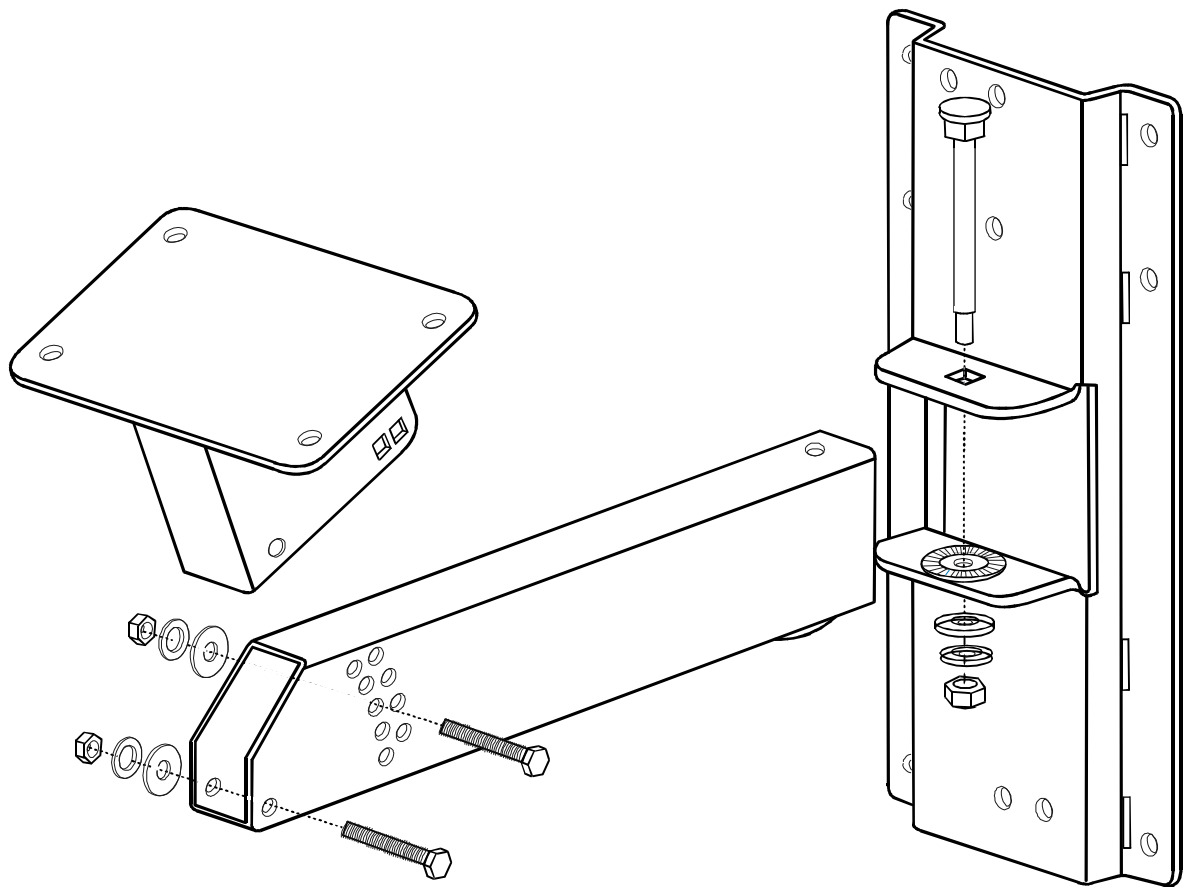
The tilt mechanism provides four screw holes in a standard OmniMount™ 60.0 configuration for attachment to the bottom of the speaker. The tilt mechanism can be mounted directly on the arm, with the provided hardware. Optionally, the tilt mechanism can be mounted to the bottom of the speaker prior to mounting it to the arm. Adjust the desired tilt angle of the speaker with the provided nuts and bolts and once the proper angle is determined, tighten the nuts securely to hold the desired position.

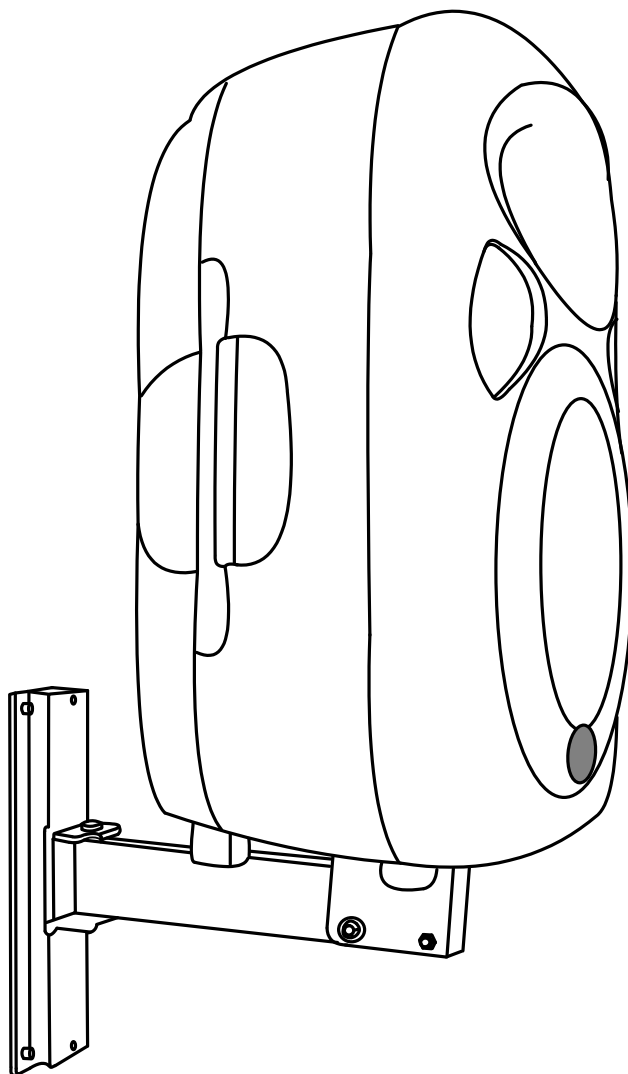
WHARFEDALE PRO LIMITED WARRANTY

The Wharfedale Pro WPB-1 Wall Bracket is warranted to be clear of manufacturing or material defects for a period of one year from the original date of purchase. In the event of malfunction, contact your authorized Wharfedale Pro dealer or distributor for information.

*Be aware that warranty details may differ from country to country. Contact your dealer or distributor for information. These terms do not infringe your statutory rights.

WPB-1 ASSEMBLY





**Wharfedale International LTD.
IAG House,
13/14 Glebe Road, Huntingdon,
Cambridgeshire, PE29 7DL, UK**

www.wharfedalepro.com

IAG Professional reserves the right to alter or improve specifications without notice.
All rights reserved © 2007 Wharfedale Pro
Wharfedale Pro is a member of the International Audio Group