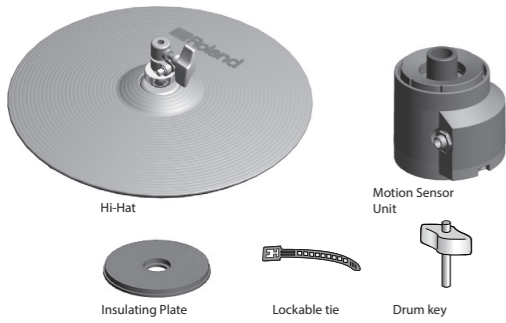


Check the Included Items

After opening the package, check that all of the included items are present. If anything is missing, contact your dealer.



- Owner's Manual
- Leaflet "USING THE UNIT SAFELY"

* Hi-hat stand is not included.

Main Features

The Same Strike Feel as an Acoustic Hi-Hat

Since the VH-10 uses a single-cymbal floating design that can be mounted on a commercially available hi-hat stand, it provides the same playing feel as an acoustic hi-hat; when you strike it, the stick will rebound and the cymbal will sway, and the cymbal moves up and down in response to your pedal movement. The striking surface uses rubber for good silencing.

Open/Close

The depth to which you advance the pedal of the hi-hat stand smoothly varies the tonal character from open to closed. You can also use techniques such as foot-close (pressing the pedal to sound the hi-hat) or foot-splash (pressing the pedal and immediately opening it to sound the hi-hat). The VH-10 also lets you express the tonal change that occurs when you strike the hi-hat in the close state and then immediately open it.

Edge Shots Can Be Played

Since an edge sensor is built into the edge, you can differentiate between strikes on the bow (upper surface) and edge (circumference).

Playing method	Explanation
<p>Bow Shot</p>	<p>This playing method involves striking the middle area of the hi-hat. It corresponds to the sound of the "head-side" of the connected trigger input.</p>
<p>Edge Shot</p>	<p>This playing method involves striking the edge of the hi-hat with the shoulder of the stick. When played as shown in the figure, the "rim-side" sound of the connected trigger input is triggered.</p>

Natural Pedal Feeling

By adjusting the depth of the pedal and the strength of the hi-hat stand's spring, you can obtain the pedal feeling that you prefer.

Setup

Mounting the VH-10 on a Hi-Hat Stand

1. Remove the clutch included with the hi-hat stand from the cymbal rod.

- * The clutch included with the hi-hat stand will not be used.
- * It is not necessary to remove the felt (or rubber) pad on the hi-hat stand used for supporting the bottom cymbal.

2. Confirm that the cymbal rod is firmly secured.

For instructions on tightening the cymbal rod, refer to the owner's manual for your cymbal stand.

- * Looseness or play in the cymbal rod can make the top hi-hat unstable, causing it to shake or turn, and prevent proper functioning.

3. Place the insulating plate on the hi-hat stand with the cymbal rod passing through the hole of the insulating plate.

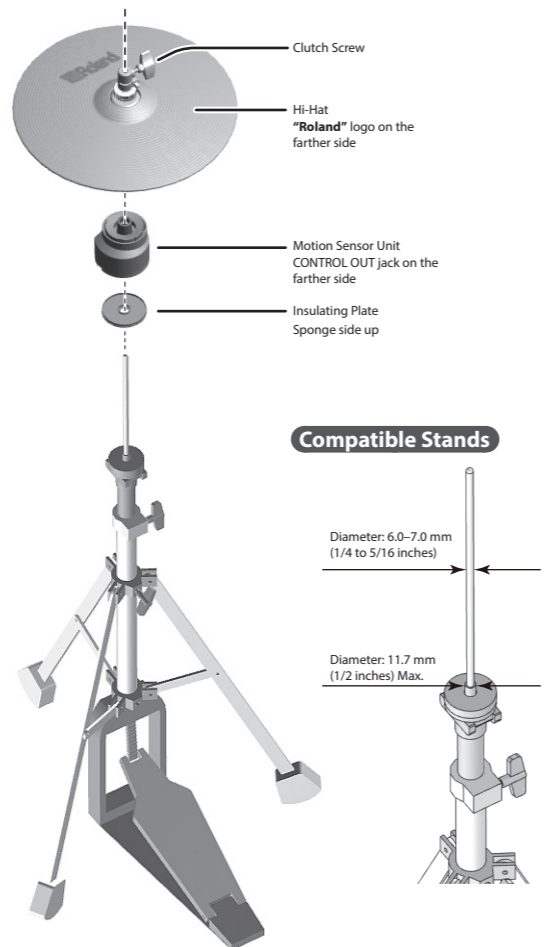
Set the insulating plate with the sponge side facing up.

4. Place the motion sensor unit on the insulating plate with the cymbal rod passing through the hole of the motion sensor unit.

Position the CONTROL OUT jack on the farther side, as viewed from the player.

5. Loosen the clutch screw and place the hi-hat on the motion sensor unit with the cymbal rod passing through the hi-hat hole.

The hi-hat should be oriented correctly. Positioning the "Roland" logo at the back (as seen by the player) will provide the best sensitivity.

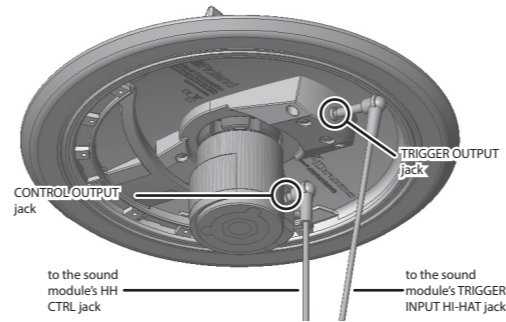


* When turning the VH-10 upside down, protect the clutch and the sensor from damage. Handle the unit with care so that it is not dropped or overturned.

Connecting to a Sound Module

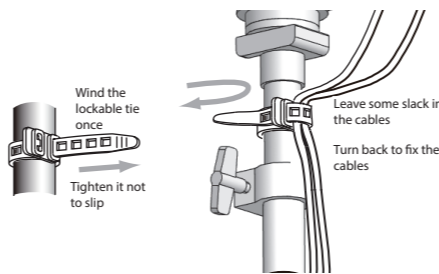
To prevent malfunction and equipment failure, always turn down the volume, and turn off all the units before making any connections.

1. Connect the VH-10's TRIGGER OUTPUT jack to the sound module's HI-HAT jack or cable, and connect the VH-10's CONTROL OUTPUT jack to the sound module's HH CTRL jack or cable.



* Use stereo (TRS) cables to make the connections. If mono cables are used, edge shots cannot be supported.

2. Allowing some slack in the cable, secure it with the lockable tie.



Adjusting the VH-10's Offset for the TD-17

The VH-10's offset must be adjusted so that open/close and pedal movements can be detected correctly.

Here we explain how to make adjustments when using the VH-10 in conjunction with the TD-17.

1. Confirm that the VH-10 and TD-17 are connected properly.

2. After making the hi-hat settings, release your foot from the pedal, and while keeping your foot off the pedal, turn on the power to the TD-17.

* The offset cannot be adjusted correctly if the hi-hat is making contact with the motion sensor unit when the power is turned on.

3. Loosen the clutch screw and let the hi-hat rest naturally on the motion sensor unit.

4. Press the [SETUP] button.

5. Use the dial to select "Hi-Hat Settings," and press the [ENTER] button.

6. Turn the dial to set Pad Type to "VH10."



7. While reading the meter displayed on the screen, adjust the offset with the VH-10's offset adjustment screw.

Adjust the offset so that [▶◀] appears in the meter.



8. Adjust other parameters as necessary.

Settings for other sound modules

1. Set "Trigger Type" to "VH-11."

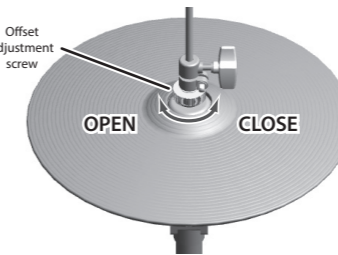
2. As in step 7 above, turn the offset adjustment screw to make adjustments.

3. Adjust other parameters as necessary.

Offset Adjustment Points

If the closed hi-hat sound is difficult to attain, rotate the offset adjustment screw towards "CLOSE."

If the open hi-hat sound is difficult to attain, rotate the screw towards "OPEN."

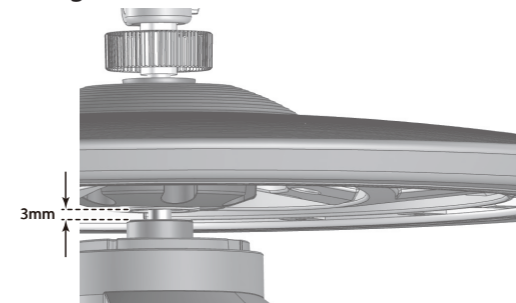


NOTE

If the sound cuts off when you strike the hi-hat forcefully, rotate the VH offset adjustment screw towards "OPEN."

Adjusting the Hi-Hat

1. Make adjustments so that the formed part in the lower middle of the hi-hat is 3 mm away from the center tip of the sensor, and then tighten the clutch screw.



* Although the gap can be adjusted to a clearance that makes playing the hi-hat easier, setting too narrow or wide a gap can cause improper function of the unit and prevent the hi-hat from sounding as you intend. Setting the gap to 3 mm provides the most natural feel when playing the VH-10.

2. Change the spring tension by adjusting the hi-hat stand.

For instructions on adjusting the tension, refer to the owner's manual for your hi-hat stand.

* If the spring tension is too strong or too weak, the unit will malfunction, and you might not be able to play the hi-hat as you intend.

* The tension may not be adjustable on some stands.

NOTE

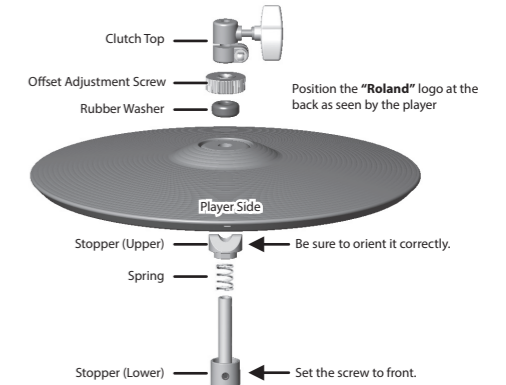
The hi-hat should be oriented correctly. Positioning the "Roland" logo at the back (as seen by the player) will provide the best sensitivity.

If the Clutch Was Apart from the Hi-Hat

If the hi-hat clutch is inadvertently removed from the hi-hat, use the following procedure to reassemble and attach the clutch.

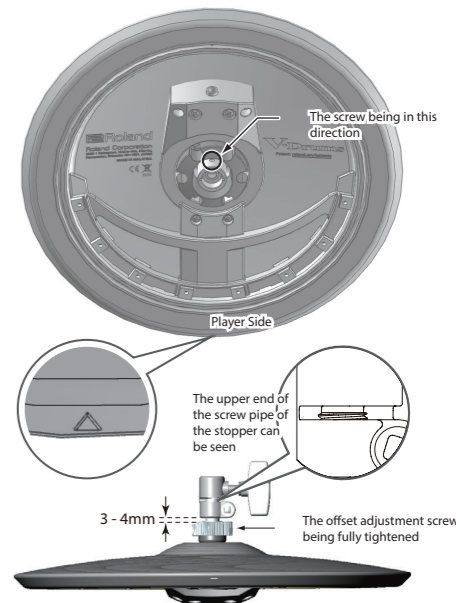
NOTE

Due to the different shape, the clutch included with the hi-hat stand cannot be used with the VH-10. Be sure to use the special VH-10 clutch.



* Orient the stopper (upper) so that it matches the groove in the hi-hat.

Hi-Hat Being Properly Assembled



Main Specifications

	Roland VH-10: V-Hi-Hat	
Size	12 inches	
Trigger	2 (Bow, Edge)	
Connectors	TRIGGER OUTPUT jack CONTROL OUTPUT jack	
Dimensions	314 (W) x 314 (D) x 103 (H) mm 12-3/8 (W) x 12-3/8 (D) x 4-1/16 (H) inches	
Weight	1.2 kg	2 lbs 11 oz
	(Excluding motion sensor unit)	
Accessories	Owner's Manual, Leaflet "USING THE UNIT SAFELY," Motion sensor unit, Insulating Plate, Drum key, Lockable tie, Connection cable (only sold individually)	
Options (sold separately)	Noise Eater (NE-10, NE-1)	

* The hi-hat's rubber surface may turn white, but this has no effect on the hi-hat's function.

* This document explains the specifications of the product at the time that the document was issued. For the latest information, refer to the Roland website.